

**OWNER'S  
MANUAL**  
*for your new*  
**CV950/CV950LE**  
**DIRT DEVIL®**  
BY H-P PRODUCTS, INC.

HIGH PERFORMANCE CENTRAL CLEANING SYSTEM FOR RV'S

**READ MANUAL BEFORE OPERATING SYSTEM**

**TO THE OWNER:**

Read the owner's manual thoroughly to ensure the most efficient use of your DIRT DEVIL® system.

**THIS APPLIANCE IS FOR RV USE.**

***Please be sure this manual/installation information is left with the power unit or customer when installation is completed.***

7762 2/06

Printed in China

# IMPORTANT SAFETY INSTRUCTIONS

*READ ALL INSTRUCTIONS BEFORE USING THIS VACUUM SYSTEM*

***When using an electrical appliance, basic precautions should always be followed, including the following:***

## **WARNING**

***To reduce the risk of fire, electric shock or injury:***

- Unplug and disconnect power before servicing.
- Electric shock could occur if used on wet surfaces.
- Do not allow to be used as a toy. Close attention is necessary when used by or near children.
- Use only as described in this manual. Use only manufacturer's recommended attachments.
- Do not use with damaged cord or plug. If appliance is not working as it should, has been dropped, damaged, left outdoors, or dropped into water, return it to a service center.
- Do not pull or carry by cord, use cord as a handle, close a door on cord, or pull cord around sharp edges or corners. Do not run appliance over cord. Keep cord away from heated surfaces.
- Do not unplug by pulling on cord. To unplug, grasp the plug, not the cord.
- Do not handle system or appliance with wet hands.
- Do not put any object into openings. Do not use with any opening blocked; keep free of dust, lint, hair, and anything that may reduce air flow.
- Keep hair, loose clothing, fingers, and all parts of body away from openings and moving parts.
- Do not use without dustbag and/or filters in place.
- Do not pick up anything that is burning or smoking, such as cigarettes, matches, or hot ashes.
- Connect to a properly grounded outlet. See grounding instructions.
- Turn off all controls before unplugging.
- Use extra care when cleaning on stairs.
- Do not use to pick up flammable or combustible liquids such as gasoline or use in areas where they may be present.
- To reduce the risk of electric shock do not use on wet surfaces.
- To reduce the risk of injury from moving parts unplug before servicing

## **SAVE THESE INSTRUCTIONS**

*FOR RV USE*

# IMPORTANTES MESURES DE SECURITÉ

LISEZ COMPLÈTEMENT LE MODE D'EMPLOI AVANT D'UTILISER  
CE SYSTÈME D'ASPIRATEUR.

**En employant un appareil électrique, des précautions fondamentales devraient toujours être prises, y compris:**

## AVERTISSEMENT

**Pour réduire les dangers de feu, d'électrocution, ou de blessure:**

- Débrancher et couper le courant avant de le réparer.
- Danger d'électrocution si utilisé sur des surfaces mouillées.
- Ne pas utiliser comme jouet et surtout faire attention quand on l'emploie près des enfants.
- Employer seulement tel que décrit dans ce manuel d'emploi et qu'avec les accessoires du fabricant.
- Ne pas utiliser si la corde ou la prise électrique est endommagée. Si l'appareil ne fonctionne pas, est endommagé, est tombé par terre, a été laissé à l'extérieur, ou a été immergé, veuillez rapporter l'appareil à un centre de service.
- Ne pas tirer sur le cordon électrique. Ne pas utiliser le cordon électrique comme poignée, ni le coincer dans une porte ou l'appuyer sur des coins et boudures tranchants. Ne pas passer l'aspirateur sur le cordon électrique. Eloigner le cordon électrique de la chaleur.
- Ne pas débrancher en tirant sur le cordon électrique. Pour le débrancher, saisir la prise de courant, et non le cordon électrique.
- Ne pas utiliser avec les mains mouillées.
- Ne rien mettre dans les fentes et les orifices bouchés. Ne pas employer avec des orifices bouchés. Éliminer poussière, cheveux et les autres choses qui peuvent rendre difficile la circulation d'air.
- Gardez cheveux, vêtements amples, doigts, et toutes autres parties du corps loin des orifices et des pièces mobiles.
- Ne pas faire fonctionner l'appareil sans sac et/ou sans filtre.
- Ne pas aspirer quelque chose qui brûle ou fume, comme des cigarettes, des allumettes, ou des cendres chaudes.
- Brancher à une prise de courant munie d'une mise à la terre. Voir les reseignements de mise à la terre.
- Éteindre tous les contrôles avant de débrancher.
- Faire bien attention en nettoyant les escaliers.
- Ne pas employer pour aspirer des liquides inflammables comme l'essence et ne pas employer dans des endroits où ces choses peuvent se trouver.
- Pour réduire les risques de choc électrique, ne pas aspirer de matières humides.
- Pour éviter d'être blessé par les pièces en mouvement, débrancher avant l'entretien.

## CONSERVEZ CES INSTRUCTIONS

POUR VEHICULES DE RECREATION.

**Connect to a properly grounded outlet only.  
Ne brancher l'appareil qu'à une prise avec mise à la terre.**

## GROUNDING INSTRUCTIONS

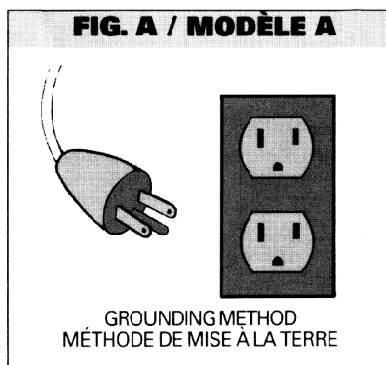
This appliance must be grounded. If it should malfunction or break down, grounding provides a path of least resistance for electric current to reduce the risk of electric shock. This appliance is equipped with a cord having an equipment grounding conductor and grounding plug. The plug must be plugged into an appropriate outlet that is properly installed and grounded in accordance with all local codes and ordinances.

## WARNING

Improper connection of the equipment-grounding conductor can result in a risk of electric shock. Check with a qualified electrician or service person if you are in doubt as to whether the outlet is properly grounded. Do not modify the plug provided with the appliance - if it will not fit the outlet, have a proper outlet installed by a qualified electrician.

The Model CV950/CV950LE appliance is for use on a nominal 120 volt circuit and has a grounding plug that looks like the plug illustrated in Fig.A.

Make sure that the appliance is connected to an outlet having the same configuration as the plug. No adapter should be used with this appliance.



## INSTRUCTIONS DE MISE À LA TERRE

Cet appareil doit avoir une mise à la terre. Si une défectuosité ou autre survenait, la mise à la terre offre une voie de moindre résistance au courant électrique, d'où un risque moins élevé d'électrocution. Cet appareil est équipé d'un cordon électrique ayant un conducteur et une fiche de mise à la terre. Cette fiche doit être branchée dans une prise appropriée qui a été installée et mise à la terre convenablement en accord avec le code électrique de votre région.

## AVERTISSEMENT

Un branchement incorrect de l'équipement de mise à la terre peut causer un risque d'électrocution. Si vous avez un doute concernant la mise à la terre de votre prise, veuillez faire vérifier votre installation par un électricien qualifié ou une personne du service après-vente. Ne pas modifier la fiche fournie avec l'appareil - si la fiche ne se branche pas à la prise, faites installer une prise adéquate par un électricien qualifié.

L'appareil, modèle CV950/CV950LE doit être employé avec un circuit de 120 volts et avoir une prise qui ressemble à la prise illustrée sur l'image A.

Vérifiez que votre appareil est branché sur une prise ayant la même configuration que la fiche électrique. Aucun adaptateur ne devrait être utilisé avec cet appareil.

**WARNING:**  
ELECTRIC SHOCK  
COULD OCCUR IF  
USED ON WET  
SURFACES.

**ATTENTION:**  
NE PAS UTILISER  
SUR TAPIS OU  
PLANCHER  
MOUILLE.

**CAUTION:**  
DO NOT USE ON  
WET RUG OR  
FLOOR.



# CV950/CV950LE OPERATING INSTRUCTIONS

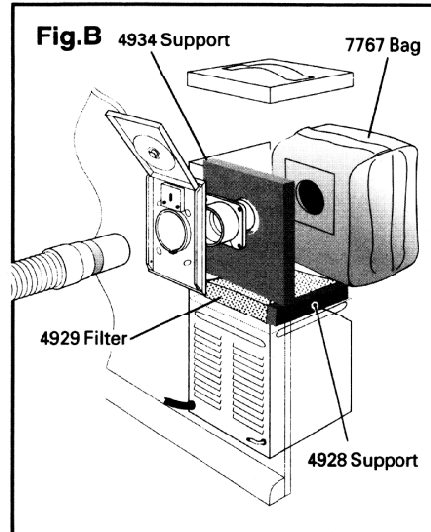
## **Inserting hose into valve (Fig. B).**

Lift lid on valve. Power unit will automatically come on. Insert hose into valve. Connect desired attachment and you are ready to vacuum.

**Changing Bag (Fig. B).** To keep your CV950/CV950LE at top efficiency, change the filter bag at regular intervals. Since cleaning schedules differ, check frequently in the beginning to determine proper interval. To maintain cleanability, replace filter bag when it is 2/3 to 3/4 full.

**To Change the Filter Bag (Fig. B)** - Locate canister, lift lid, and pull bag collar off connector. **Open new bag**, (expand pleats by gently pulling on bag), slide collar securely onto inlet connector. (See Fig. B.) Replace with Bag #7767. To reorder, check bag for instructions or contact: H-P Products, Inc.  
512 West Gorgas Street  
Louisville, Ohio 44641-0912  
330-875-5556

**To remove Secondary #4929 Filter & #4928/4934 Filter Supports for Cleaning (Fig. B).** Take out bag 7767, pull Support 4934 off connector and out of canister. Take out 4929 & 4928. For reassembly, follow instructions in reverse order. NOTE: 4929 Filter wraps to front of 4928 Filter Support (Fig. B).



**NOTE:** This appliance has a THERMAL PROTECTOR built into the motor to prevent overheating. If motor will not operate, pull power cord plug out of receptacle - re- insert to reset.

If motor brushes or bearings are worn out, the thermal protector will trip off again after a short period of time. If this happens, service for this and any other servicing should be performed by an authorized service representative.

# CV950/CV950LE INSTALLATION INSTRUCTIONS

**WARNING:** This unit must be installed in an accessible area with interior vent (Fig D).

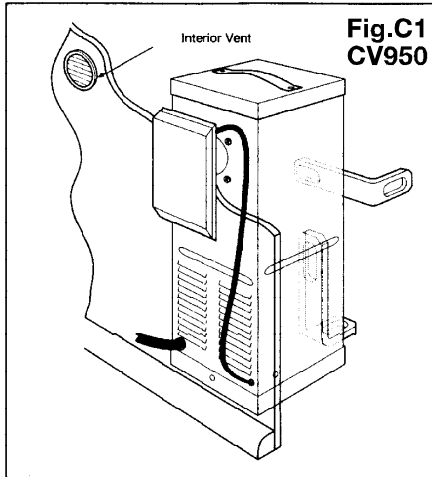
**AVERTISSEMENT:** Cet unité devrait être installé dans un endroit bien aéré et accessible afin d'éviter la surchauffe de L'appareil.

The DIRT DEVIL® CV950 /CV950LE can be installed in any one of four configurations. Figures C, D & E illustrate three configurations, with C being the most common. The one not shown is a variation of D.

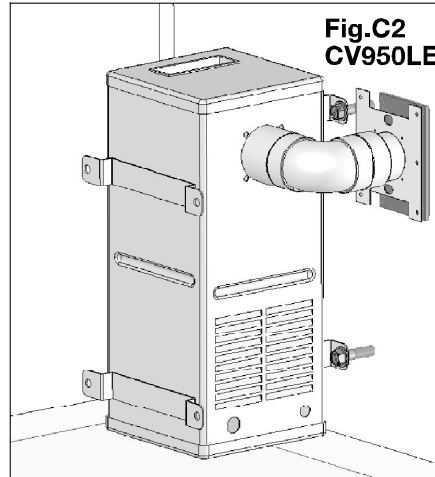
1. Locate unit centrally so that area to be cleaned can be conveniently reached with standard 20' or 30' hose. Also locate near grounded electrical receptacle for easy plug-in connection of motor cord. Route supply cord so that it doesn't rest against sharp edges or pinch points. See grounding instructions on page 3.
2. **All dimensions below are approximate. To determine best configuration for your installation, temporarily install unit for best valve location. Be sure there is clearance to remove top cover and filter bag.**
3. Determine valve location and cut 2 1/4" (58mm) wide x 3 3/4" (95mm) high

**(Installation continued)**

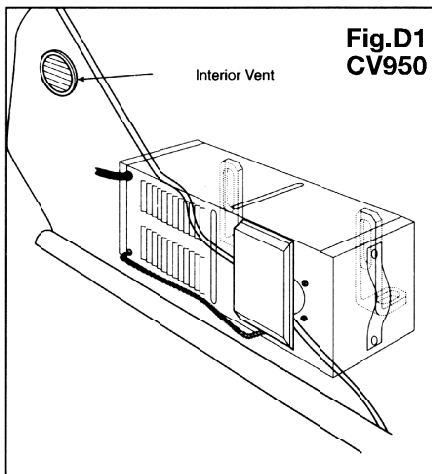
# INSTALLATION INSTRUCTIONS *continued...*



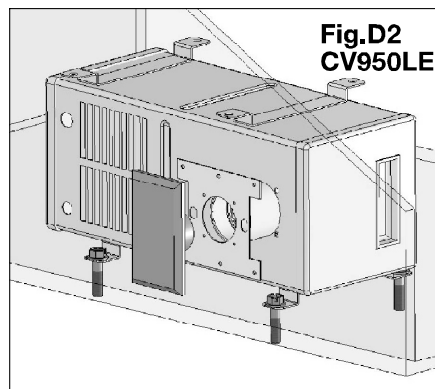
**Fig.C1  
CV950**



**Fig.C2  
CV950LE**



**Fig.D1  
CV950**



**Fig.D2  
CV950LE**

opening, 9<sup>7</sup>/<sub>8</sub>"(251mm) above the floor (Fig C) for upright canister position or 1<sup>3</sup>/<sub>4</sub>" (45mm) above floor for horizontal canister position (see fig D).

Do not vent into a wall, ceiling or concealed space of a building or structure. Unit must be vented with interior vent or equivalent (see fig D).

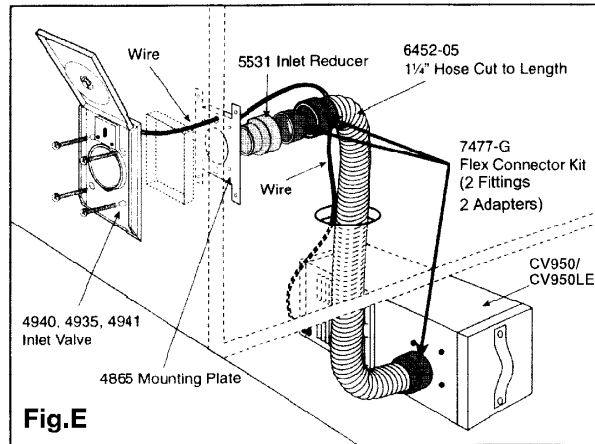
- Place the CV950/CV950LE canister in its approximate location before installing inlet valve (4940), mounting plate (4865), and inlet reducer (5531)(see fig.e).
- Inlet valve switch should be wired at this point for convenience (See Figure E).In-

sert pre-stripped ends of 18-2 (1.00 mm -2) low voltage wire into holes on back of inlet valve (4940), press in firmly and wires will lock automatically. Pull lightly to test for locking. Connect other ends of wire from inlet valve to wire leads from relay (7090) with wire nuts provided.

- Install inlet reducer (5531) to inlet connector (7464), glue if needed. Assemble inlet valve to wall with mounting plate (4865) using the four screws provided (see Figure E). Also, tabs on mounting plate should face away from inlet valve.

8. Secure unit to floor and or wall with mounting bracket(s) (7768) provided. Place square heads of mounting bolt in "C" channel of canister. Tighten nut to hold bracket(s) in desired location. Anchor leg of bracket to floor/wall with wood screws provided.

9. Plug in power cord from motor unit to nearby electrical receptacle. Route power supply cord so that it doesn't rest against sharp edges or pinch points. The CV950/CV950LE unit operates when the inlet valve lid is lifted.



**Fig.E**

## VACPAN™ OPERATING INSTRUCTIONS

Simply switch on the VacPan automatic dustpan by pushing the raised tab with your foot. Switching on the VacPan activates your central vacuum. Brush dirt and debris toward the VacPan. When cleaning is complete, switch off the VacPan and the central vacuum system by pushing the raised tab with your foot.

## VACPAN INSTALLATION INSTRUCTIONS

Part #7710

1. VacPan requires a minimum 2 - 1/4" toe kick height.
2. Once the VacPan location is determined, cut 6 - 3/4" long x 1 3/4" high slot in the cabinet toe kick to accept the VacPan.
3. Run vacuum tube piping and low-voltage wire from the main piping line to the VacPan location.
4. Access for final piping connections must be made. From below, cut an access hole underneath the cabinet, positioned so that final piping connections can be made through the access hole. Allow for 1/2" vertical play in vacuum tube piping at

VacPan location so that final piping connections can be made.

5. Attach low-voltage wire to the VacPan terminal connections marked low-voltage only.
6. Prior to final installation, check for an airtight seal between the VacPan and elbow. Teflon tape may be used if required.
7. Slide VacPan into mounting slot and secure to toe kick using the two #6 screws provided.
8. Reach through access hole and make final piping connections.

# VACPAN II OPERATING INSTRUCTIONS

Part #7981

The VacPan II can be used as both an automatic dustpan and a standard hose inlet.

For automatic dustpan operation, slide top cover up, creating a sweep opening and automatically switching on central vacuum system. Sweep material to opening. When complete, slide top cover down, closing opening and automatically shutting off central vacuum system.

For standard hose inlet operation, ensure top cover is in fully lowered position. Grasp side finger grips in top cover and flip top cover up. The top cover will lock out of the way. Lift sprung flapper door open and insert central vacuum hose. Use your central vacuum hose as you would with any other standard inlet valve.

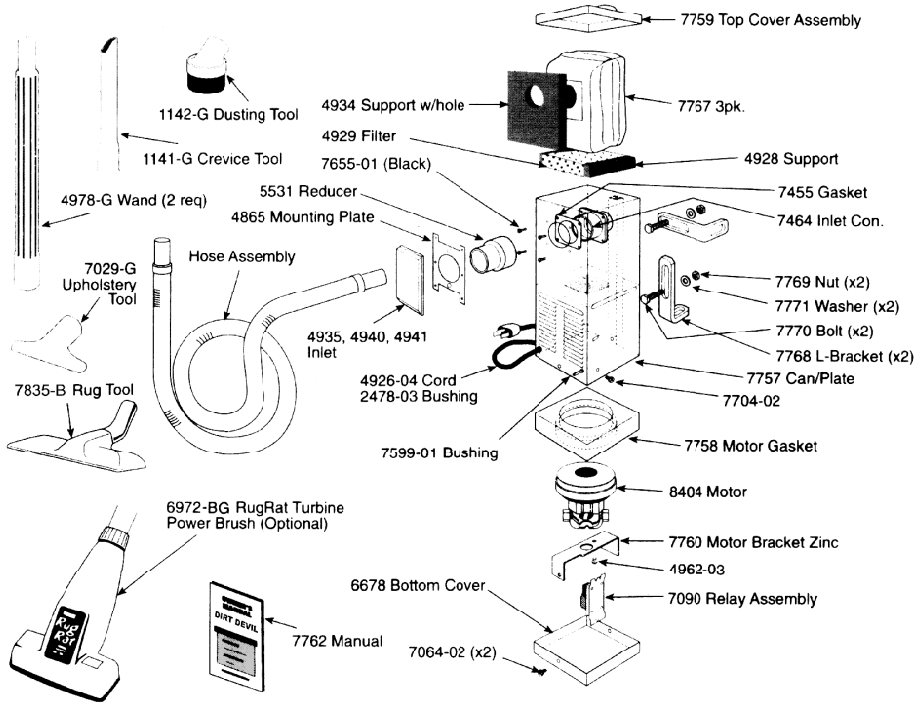
---

# VACPAN II INSTALLATION INSTRUCTIONS

1. VacPan II can be installed inside any wall with a minimum stud width of 2 - 3/4".
2. VacPan II should be located against wall stud.
3. Once the VacPan II location is determined and prior to applying the wallboard, attach Standard Mounting Bracket to the wall stud so that the center of the mounting plate is 4" above the sub-floor.
4. Attach VacPan II base stopper bracket, thereby allowing appropriate space for final installation.
5. Run vacuum tube piping and low-voltage wire from the main line to VacPan II location and attach to mounting bracket.
6. Allow other trades to complete construction including finished flooring and trim.
7. Snap off two protruding tabs of VacPan II base stopper bracket and discard.
8. Align VacPan II with mounting bracket. Height adjustment may be required depending on finished floor.
9. For VacPan II height adjustment: The body can be shortened by scoring along Quick-Trim Grooves on back of body. The two piece front cover can be adjusted for height by twisting apart and engaging the mating teeth of the two parts. The VacPan II Entrance Ramp can be slid on mating body grooves.
10. Attach low-voltage wires to VacPan II terminal connections.
11. Slide VacPan II into mounting bracket and secure to wall using two 10 x 1-1/2" screws.



# CV950 PARTS LIST

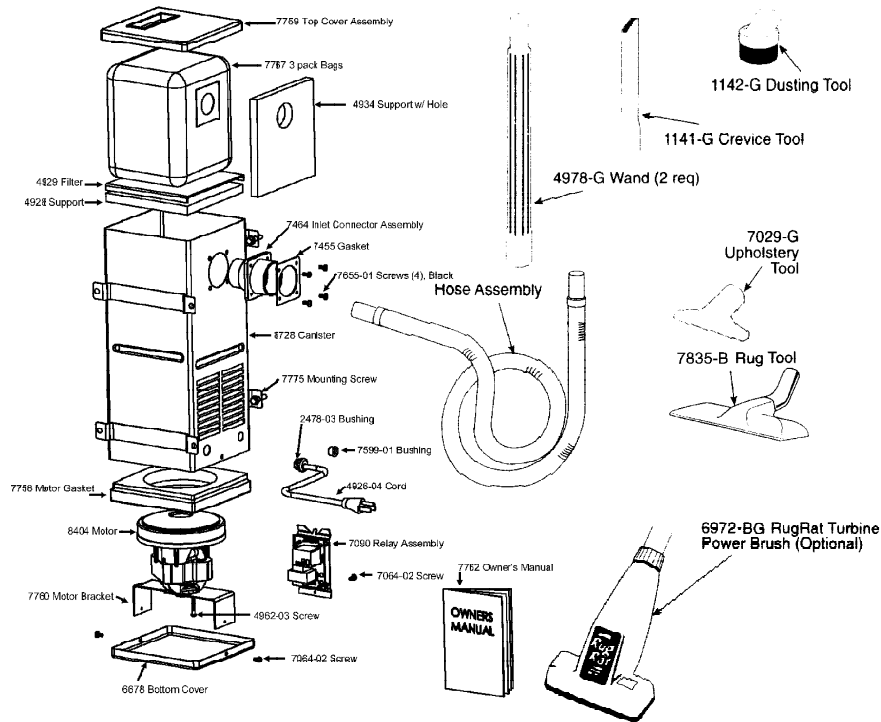


## REPLACEMENT PARTS & PRICE LIST

PART NO.	DESCRIPTION	RETAIL	PART NO.	DESCRIPTION	RETAIL
7767	Paper Bag (3pk.)	6.95	7464	Inlet Connector	1.45
7757	Canister w/plate	46.54	7455	Inlet Gasket	.41
7759	Top Cover Assembly	11.39	7655-01	Screws - Black (x4)	.26
7768	L-Mounting Bracket (x2)	2.07	5531	Inlet Reducer	.85
7760	Motor Bracket	4.94	4941	Inlet - Brown	12.48
7762	Manual	N/C	4940	Inlet - Ivory	12.48
8404	Motor / Blower	89.41	4935	Inlet - White	12.48
7758	Motor Gasket	9.36	4865	Mounting Plate	2.10
7090	Relay Assembly	45.00	6678	Bottom Cover	10.24
4934	Filter Support w/hole	1.97	7064-02	Screws (x2)	.16
4928	Filter Support	1.97	6972-BG	RugRat Turbine Power Brush (optional)	51.75
4929	Filter	.75	7835-B	Rug Tool	14.51
2478-03	Bushing (Power Cord)	.26	7029-G	Upholstery Tool	2.69
7599-01	Bushing (24V)	.26	1141-G	Crevice Tool	2.15
4926-04	Power Cord	4.92	1142-G	Dusting Tool	3.80
7770	Bolt (x2)	.21ea	4978-G	1 Pc. Plastic Wand (2 req.)	3.50
7771	Washer - Nylon (x2)	.04ea	4962-03	Screw	.16
7769	Nut (x2)	.42ea			

\*Sub Assembly Part

# CV950LE PARTS LIST



NOTE: Inlet Valve Optional

## REPLACEMENT PARTS & PRICE LIST

PART #	DESCRIPTION	RETAIL	PART #	DESCRIPTION	RETAIL
7759	Top Cover Assembly	11.39	7090	Relay Assembly	65.00
7767	3 Pack Bags	6.95	7064-02	Screw	0.16
4934	Filter Support w/ Hole	1.97	4962-03	Screw	0.16
4929	Filter	0.75	6678	Bottom Cover	10.24
4928	Filter Support	1.97	7760	Motor Bracket	4.94
7464	Inlet Connector Assembly	1.45	8404	Motor	89.41
7455	Gasket	0.41	7758	Motor Gasket	9.36
7655-01	Screws (x4)	0.26	6972-BG	RugRat Turbine Power Brush (optional)	51.75
8728	Canister	46.54	7835-B	Rug Tool	14.51
7775	Mounting Screw (x4)	0.26	7029-G	Upholstery Tool	2.69
2478-03	Bushing	0.26	1141-G	Crevice Tool	2.15
7599-01	Bushing	0.26	1142-G	Dusting Tool	3.80
4926-04	Cord	4.92	4978-G	1 Pc. Plastic Wand (2 req.)	3.50
7762	Owner's Manual	N/A			

封底的背面空白

# **DIRT DEVIL® CV950 / CV950LE H-P PRODUCTS, INC.**

## **LIMITED WARRANTY**

Your DIRT DEVIL® CV950/CV950LE which has been manufactured and inspected in accordance with carefully specified engineering requirements, is warranted to be free from defects in material and workmanship for three years.

This warranty is, however, subject to the following qualifications, conditions and limitations which are set forth to provide you and all users of DIRT DEVIL® products with information concerning the duration, extent, availability and applicability of this DIRT DEVIL® Limited Warranty, the procedure to be taken to obtain its performance and other information concerning the DIRT DEVIL® warranty policy.

### **DURATION OF WARRANTY AND TO WHOM EXTENDED**

H-P Products, Inc. warrants to the customer, the DIRT DEVIL® equipment and accessories manufactured or supplied by H-P Products, Inc. to be free from defects in material and workmanship under normal intermittent use and when properly installed and operated, for a period of three years from the date of purchase by the first consumer purchaser.

### **EXCEPTIONS AND LIMITATIONS ON WARRANTY**

Defects, malfunctions, failure or damage caused by improper, unreasonable or negligent use or repair while the warranted parts are in the possession of the consumer are excluded from the warranty. The warranty does not cover unauthorized repair of the motor assembly.

IMPLIED WARRANTY OF MERCHANTABILITY OR FITNESS FOR A PARTICULAR PURPOSE ARE LIMITED TO A PERIOD OF THREE (3) YEARS FROM THE DATE OF PURCHASE BY THE ORIGINAL CONSUMER.

Some states do not allow limitations on how long an implied warranty lasts, so the above limitation may be void where prohibited.

THIS WARRANTY IS EXPRESSLY IN LIEU OF ANY OTHER EXPRESS WARRANTIES AND DOES NOT COVER THE INSTALLATION OF EQUIPMENT. IN NO EVENT SHALL H-P PRODUCTS, INC. BE LIABLE FOR ANY OTHER OBLIGATIONS OR LIABILITIES, ESPECIALLY FOR ANY INCIDENTAL OR CONSEQUENTIAL DAMAGES TO ANYONE.

Some states do not allow the exclusion or limitation of incidental or consequential damages, so the above limitation or exclusion may be void where prohibited.

WE NEITHER ASSUME NOR AUTHORIZE ANY PERSON TO ASSUME FOR US ANY LIABILITY IN CONNECTION WITH THE SALE OR SERVICE OF THIS DIRT DEVIL® EQUIPMENT OTHER THAN HEREIN ABOVE PROVIDED.

### **PROCEDURE TO BE TAKEN TO OBTAIN PERFORMANCE OF WARRANTY**

To secure repair of any warranted parts under this warranty, the following procedure should be taken:

The warranted parts, together with satisfactory evidence of the purchase date, must be delivered, with shipping and delivery charges prepaid, to one of the following: (1) the Distributor/Dealer from whom purchased; or (2) H-P Products, Inc., 512 West Gorgas Street, Louisville, Ohio 44641.

Upon compliance with the above procedure H-P Products, Inc. will repair or replace, at its option, any warranted part which is defective. Such part or parts will be furnished without cost F.O.B. place of shipment. Return shipment will be made freight collect. All costs for service calls shall be borne by the one requesting service.

Dirt Devil® central vacuums are manufactured  
under exclusive license from Royal® Appliance Mfg. Co. by  
H-P Products, Inc.  
512 West Gorgas Street  
Louisville, OH 44641  
330-875-5556