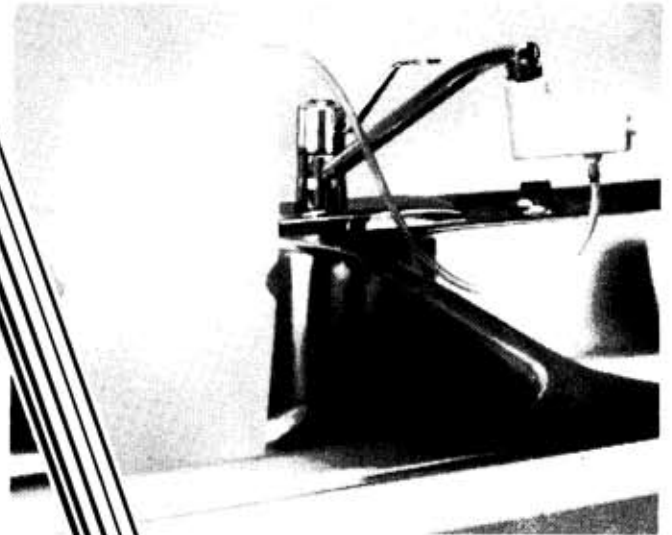
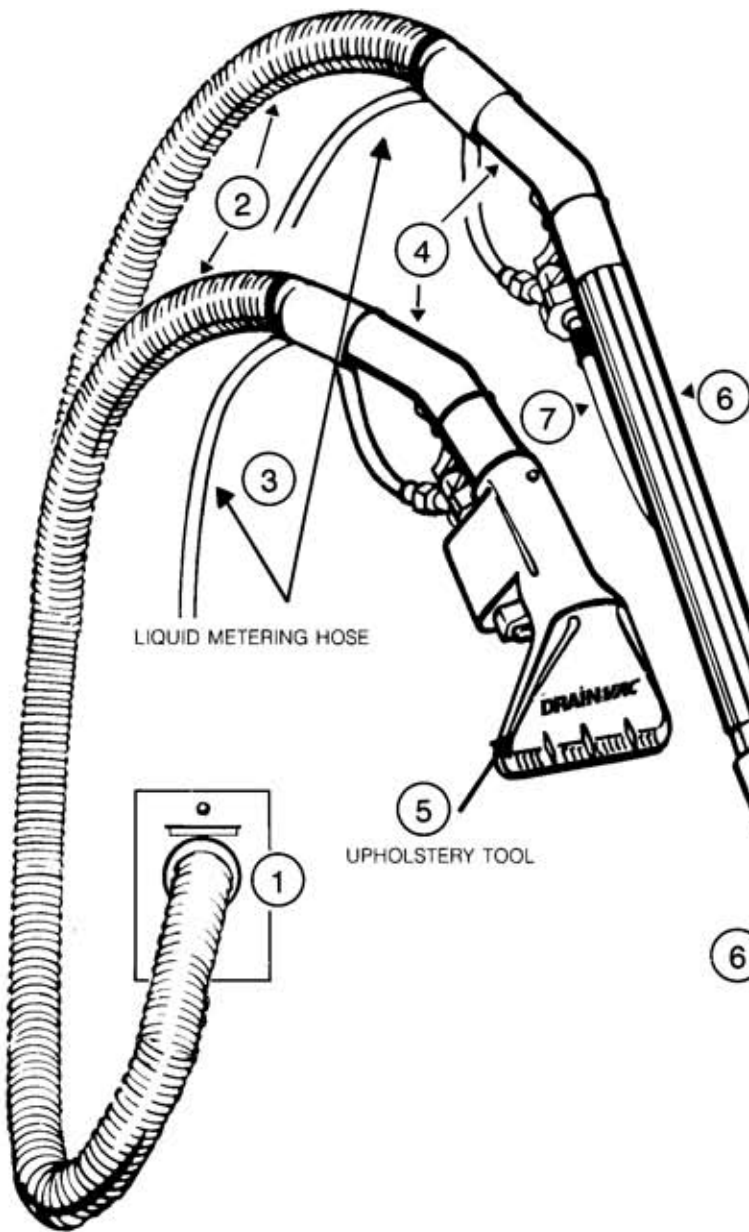

OWNER'S MANUAL

CARPET CLEANER KIT

DRAIN VAC[®]

COMPONENTS

1. Wall vacuum inlet.
2. Vacuum hose.
3. Liquid metering hose.
4. Injection control wand.
5. Upholstery tool.
6. Extension wand.
7. Auxiliary injection tube.
8. Floor suction foot.



SET-UP

- A** Insert vacuum hose (2) into vacuum inlet (1).
- B** Join the injection control wand (4) to either the upholstery tool (5) or to the assembly of the floor suction foot (8) with extension wands (6) including the auxiliary injection tube (7).
- C** Join the end of the liquid metering hose (3) to the injection control wand (4).

WARNING

Do not use with conventional central vacuum systems unless the manufacturer's labels state "for wet/dry pick up".
Overpassing this warning may have dangerous consequences.

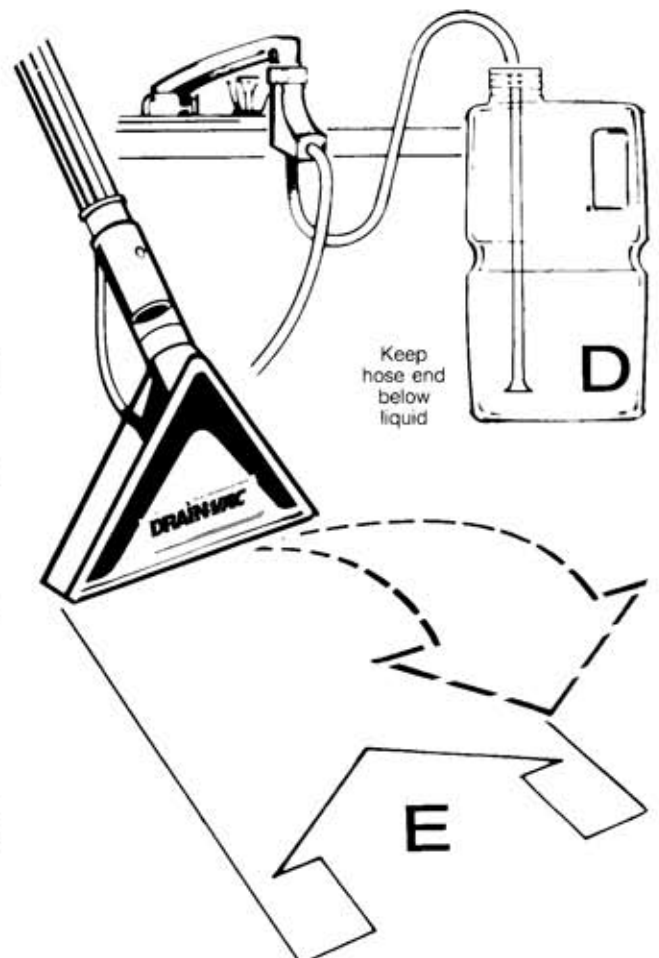
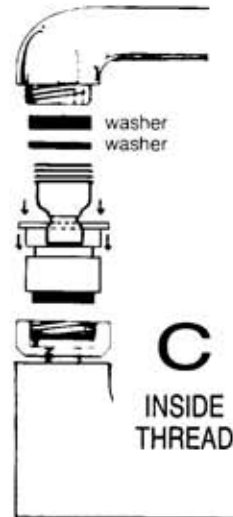
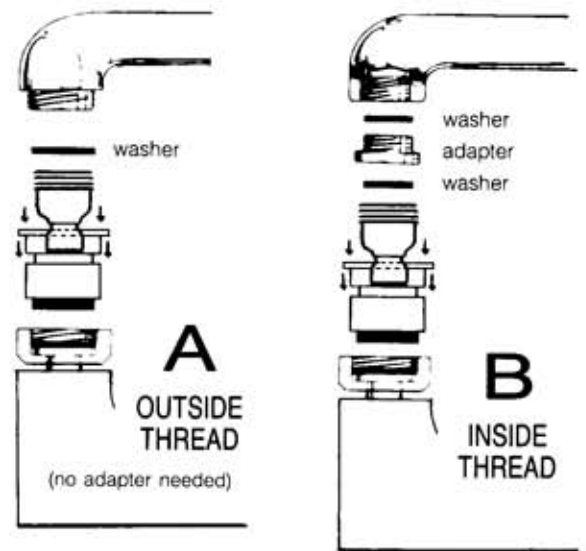
LIQUID DISPENSER

The cleaning formula stays at the sink... metering just the right amount into the water line.



OPERATION

1. Preparation — First vacuum carpet thoroughly, then you are ready to use your new Carpet Machine.
2. Attach the water hose to any threaded kitchen or bathroom faucet. Some faucets have external threads and others have internal threads. Most have aerators or screen filters that unscrew. Unscrew the aerator. If use of pliers is necessary, wrap the aerator with tape to avoid damage. If an adapter is necessary (see diagram B) screw it to the faucet. Screw the water hose to the adapter. This should be done carefully and slowly to avoid damaging threads. If you must connect to a laundry type thread, an adapter can be purchased at the Drain Vac dealer. There are also adapters available that will attach to threadless faucets.
3. Place the metering line into the solution bottle. Keep hose end below liquid (D).
4. Set your faucet between warm and hot. Extreme hot water could damage the system. Run water prior to attaching hose to avoid cold water start.
5. Plug in the vacuum hose into the wall inlet and you are ready to clean your carpets!
6. Prior to cleaning room, heavily soiled areas should be prespotted. This can be done by releasing cleaning solution spray with the release trigger, holding the wand approximately 6 inches over the heavily soiled areas. This operation can be done without the vac running and using only the water pressure from your faucet. Once you have prespotted the heavily soiled areas, you can then proceed to clean the entire room as directed below.
7. Place the suction foot on the carpet and with one hand engage the injector trigger releasing the spray of cleaning solution and hot water into your carpet. Pull the unit toward you so that the vacuum picks up the dirty water (E). Use gentle pressure on extension for the best results.
8. A slight back and forth scrubbing will help loosen spots, a final pass over the carpet with the vacuum ON only will help the carpet dry faster. Prespot traffic areas with quick initial pass, then clean entire room.



- 9.** If injection begin to form foam, immediately stop the operation. Spray defoamer solution on the carpet and proceed with cold water only.
- 10.** When finished with the cleaning job, clean the wand before storing. Rinse the parts with water. **Important:** After each use, take the metering line from the solution bottle and put into a container of clean water. Operate the injector to flush system. This should be done by holding suction foot over sink or bucket.

TROUBLESHOOTING

POSSIBLE CAUSE:

- No water pressure.
- Obstruction in bottle.
- Obstruction in spray nozzle.
- Obstruction in injector unit.

REMEDY:

- Check faucet to be sure you still have water pressure supplied in the unit.
- Check the solution tube to be sure that the screen is clean. If screen on solution tube has come off, the metering orifice will clog. It is the small hole at the other end of the tube. Remove the tube and clean off the small hole.

TROUBLE:

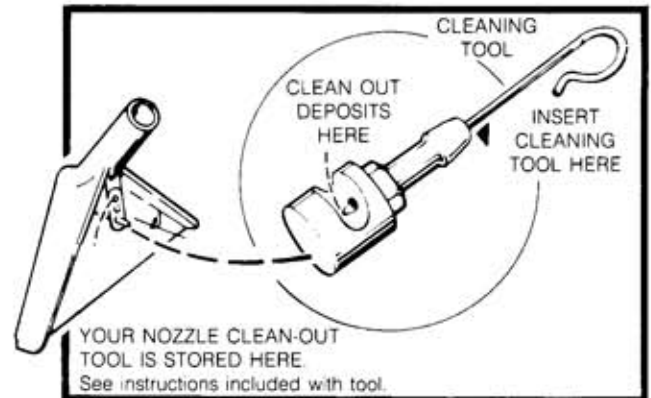
UNIT STOPS SPRAYING OR STOPS INJECTING CLEANING SOLUTION.

POSSIBLE CAUSE:

- No water pressure.
- Obstruction in bottle.
- Obstruction in spray nozzle.
- Obstruction in injector unit.

REMEDY:

- Check faucet to be sure you still have water pressure supplied in the unit.
- Check the solution tube to be sure that the screen is clean. If screen on solution tube has come off, the metering orifice will clog. It is the small hole at the other end of the tube. Remove the tube and clean off the small hole.



TROUBLE:

WATER LEAKS FROM SPRAY NOZZLE.

POSSIBLE CAUSE:

- Injector nozzle not shutting off completely.
- No "play" in trigger.
- Loose injector cap.

REMEDY:

- Check orifice and disassemble injector nozzle and "cone shaped" end of nozzle injector assembly (29) for damage. Replace if defective.
- Check O-rings. Replace if damaged. Lubricate O-rings with a small amount of petroleum jelly. DO NOT plug orifices.
- Assemble and check trigger "play". If there is no "play" replace entire injector nozzle.
- Tighten injector cap (28).

PARTS EXTRACTION WAND

Item	Part no.	Part name	Req'd
1	010-4690	Upholstery hose	1
2	010-4175	Grip-Tube	1
3	010-6201	O-Ring	1
4	010-1656	Cap-Valve	1
5	010-7729	Seal	1
6	010-8124	Sleeve O Ring	1
7	010-6203	O Ring	1
8	010-8123	Sleeve-Shut Off	1
9	010-8428	Spring	1
10	010-2504	Collar-Spring	1
11	010-6204	O Ring	1
12	010-8627	Stem	1
13	010-1657	Cap-Swivel	1
14	010-2505	Collar	1
15	010-9405	Trigger	1
16	010-4678	Hose	1
17	010-9663	Wand	2
18	013-6966	Face Plate	1
19	013-6194	Nozzle	1
20	880-7026	Screw #8	5
21	010-9151	Tool-Clean Out	1
22	013-6967	Plate-Spray Nozzle	1
23	010-6173	Nozzle Spray	1
24	013-2676	Connector	2
25	013-9463	Tube	1
26	013-8006	Shroud RH	1
27	880-7008	Screw	2
28	014-6205	Cap-Check Valve	1
29	013-9463	Tube	1
30	010-3526	Filter	1
31	013-6205	Orifice Metering	1
32	010-6202	O-Ring	1
33	010-0324	Ball-Valve	1
34	013-4689	Hose	1
35	010-8692	Strap-Horse Clamp	3
36	010-4687	Nut-Hose	1
37	010-8626	Stem	1
38	010-9624	Washer	1
39	010-7652	Filter Screen	1
40	013-8007	Shroud LH	1
41	013-5103	Injector	1

