

# AIR MOVING MOTOR: 7.2 in. / 182.9 mm. 120 V 3-Stage

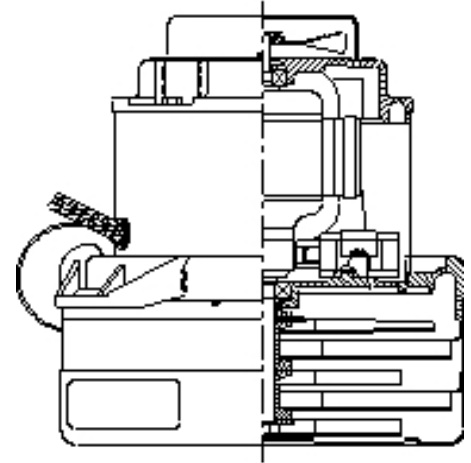
MODEL:116119-00

## SPECIFICATIONS

<b>Motor Type:</b>	Series Universal
<b>Input Voltage:</b>	120 VAC, 50/60 Hz
<b>Frequency:</b>	50/60 Hz
<b>Fan Diameter:</b>	7.2 in./182.9 mm
<b>No. Fan Stages:</b>	3
<b>Fan System Style:</b>	Bypass
<b>Air Discharge:</b>	Tangential
<b>Operating Temp:</b>	32-104°F/0-40°C
<b>Bearing System:</b>	Ball/Ball
<b>Frame:</b>	Skeleton
<b>Brush Type:</b>	Carbon
<b>Inlet Tube Dia.:</b>	None
<b>RFI Choke:</b>	None
<b>Speed:</b>	1

## ADDITIONAL FEATURES

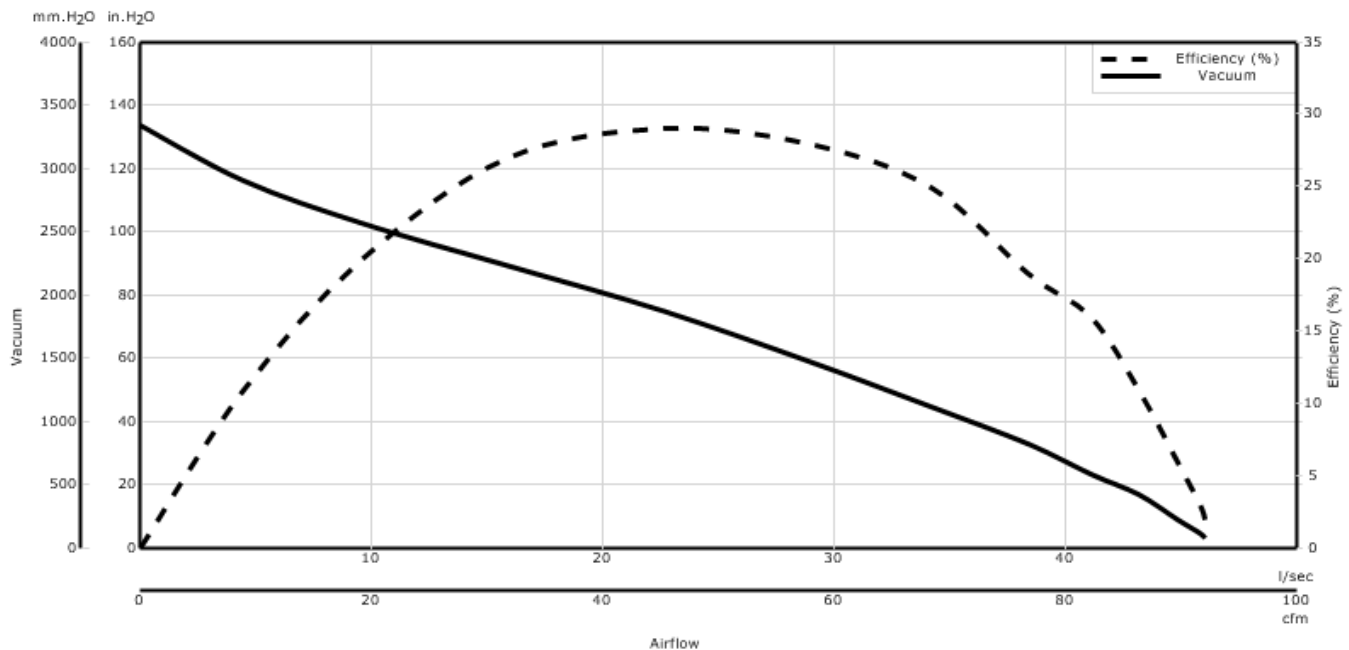
<b>Regulatory:</b>	UL Recognized, CSA certif
<b>Comm Bracket:</b>	Aluminum
<b>Fan Bracket:</b>	Aluminum
<b>Therm Protect:</b>	None
<b>Insulation Class:</b>	Class A
<b>Added Bearing Prot.:</b>	
<b>Fan Shell Coat:</b>	None
<b>Electrical Conn.:</b>	Lead Wires
<b>Duty Cycle:</b>	Intermittent
<b>Special Feature:</b>	



## Design Application

Equipment operating in environments requiring separation of working air from motor ventilating air.  
Designed to handle clean, dry, filtered air only

## PERFORMANCE



\* Data represents performance of a typical motor sampled from a large production quantity. Individual motor data may vary, due to normal manufacturing variations."

Data shown is measured at regulated nominal voltage and normalized to standard atmospheric pressure and temperature.

## ENGLISH

Orifice (inches)	Amps	Watts (In)	RPM	Vac (In. H2O)	Flow (CFM)	Air Watts
2.000	13.70	1541	17150	3.0	92.1	32
1.750	13.70	1544	17125	5.0	91.6	54
1.500	13.60	1539	17075	8.9	89.7	94
1.250	13.80	1544	17075	17.1	86.3	174
1.125	13.70	1457	17000	23.7	82.2	229
1.000	13.70	1539	17150	33.1	76.8	299
0.875	13.60	1465	17150	44.8	68.4	361
0.750	13.40	1455	17325	59.3	57.8	403
0.625	12.80	1360	17725	75.2	45.2	400
0.500	11.90	1251	18450	89.7	31.6	334
0.375	10.90	1161	19350	103.0	19.1	233
0.250	10.10	1070	20450	116.0	9.0	123
0.000	9.30	1080	21450	134.0	0.0	0

## METRIC

Orifice (mm)	Amps	Watts (In)	RPM	Vac (mm H2O)	Flow (l/Sec)	Air Watts
48.000	13.70	1542	17139	99.0	43.4	42
40.000	13.60	1541	17090	196.0	42.6	82
30.000	13.70	1496	17034	527.0	39.7	204
23.000	13.60	1484	17150	1,064.0	33.3	346
19.000	13.40	1453	17333	1,514.0	27.2	403
16.000	12.80	1364	17709	1,894.0	21.6	400
13.000	12.00	1262	18378	2,242.0	15.6	341
10.000	11.10	1175	19215	2,566.0	9.9	248
6.500	10.10	1075	20395	2,930.0	4.5	129
0.000	9.30	1080	21450	3,404.0	0.0	0

\* Metric data is calculated based on ASTM standards  
 Box tests are performed to ASTM F558

WARNING: When using AMETEK vacuum motors in machines that come in contact with foam, liquid (including water), or other foreign substances, the machine must be designed and constructed to prevent those substances from reaching the fan system, motor housing, and electrical components. Ametek motors other than hazardous duty models should not be applied in machines that come in contact with dry chemicals or other volatile materials. Failure to observe these precautions could cause flashing (depending on volatility) or electrical shock which could result in property damage and severe bodily injury, including death in extreme cases. All applications incorporating Ametek motors should be submitted to appropriate organizations or agencies for testing specifically related to the safety of your equipment.