

AIR MOVING MOTOR: 5.7 in. / 144.8 mm. 240 V 2-Stage

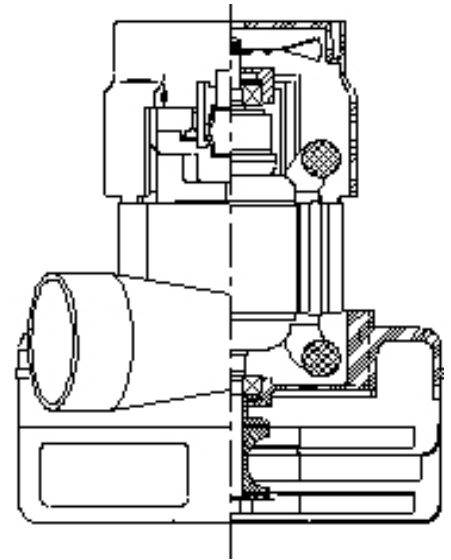
MODEL:116213-00

SPECIFICATIONS

Motor Type:	Series Universal
Input Voltage:	240 VAC, 50/60 Hz
Frequency:	50/60 Hz
Fan Diameter:	5.7 in./144.8 mm
No. Fan Stages:	2
Fan System Style:	Bypass
Air Discharge:	Tangential
Operating Temp:	32-104°F/0-40°C
Bearing System:	Ball/Ball
Frame:	Skeleton
Brush Type:	Carbon
Inlet Tube Dia.:	None
RFI Choke:	None
Speed:	1

ADDITIONAL FEATURES

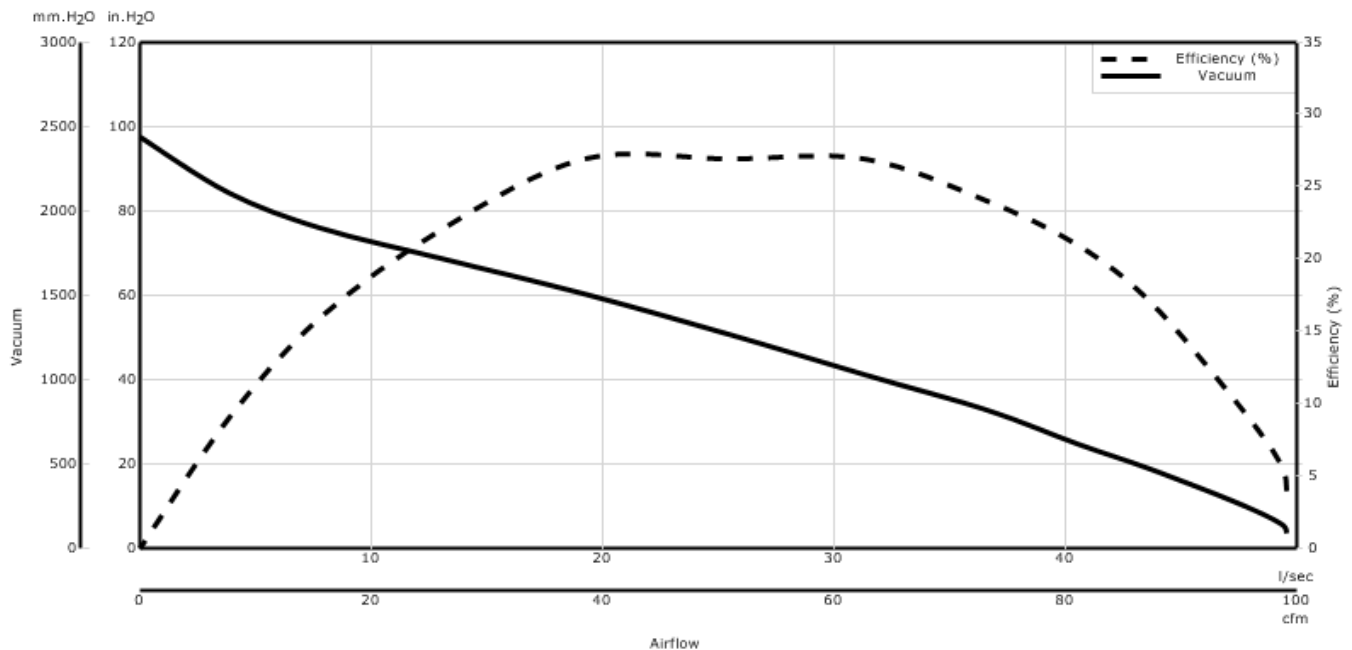
Regulatory:	UL Recognized
Comm Bracket:	Aluminum
Fan Bracket:	Plastic
Therm Protect:	None
Insulation Class:	Class A
Added Bearing Prot.:	
Fan Shell Coat:	None
Electrical Conn.:	Lead Wires
Duty Cycle:	Intermittent
Special Feature:	



Design Application

Equipment operating in environments requiring separation of working air from motor ventilating air.
Designed to handle clean, dry, filtered air only

PERFORMANCE



* Data represents performance of a typical motor sampled from a large production quantity. Individual motor data may vary, due to normal manufacturing variations."

Data shown is measured at regulated nominal voltage and normalized to standard atmospheric pressure and temperature.

ENGLISH

Orifice (inches)	Amps	Watts (In)	RPM	Vac (In. H2O)	Flow (CFM)	Air Watts
2.000	4.90	1127	19180	3.6	99.1	42
1.750	4.90	1141	19210	6.1	98.5	71
1.500	4.90	1144	19020	10.8	94.9	120
1.250	5.00	1144	18970	18.9	87.3	194
1.125	5.00	1152	18950	25.0	81.1	238
1.000	5.00	1159	19050	32.9	73.2	283
0.875	4.90	1139	19260	41.3	62.6	304
0.750	4.70	1110	19600	50.8	50.9	304
0.625	4.50	1018	20290	60.3	38.4	272
0.500	4.20	972	21140	68.6	26.1	210
0.375	3.80	895	22040	76.2	15.6	140
0.250	3.50	840	23210	84.4	7.6	75
0.000	3.40	801	24160	97.4	0.0	0

METRIC

Orifice (mm)	Amps	Watts (In)	RPM	Vac (mm H2O)	Flow (l/Sec)	Air Watts
48.000	4.90	1133	19193	119.0	46.7	55
40.000	4.90	1143	19077	239.0	45.3	105
30.000	5.00	1148	18959	565.0	39.6	218
23.000	4.90	1144	19208	996.0	30.8	299
19.000	4.70	1108	19614	1,295.0	23.9	303
16.000	4.50	1022	20262	1,522.0	18.4	273
13.000	4.20	977	21055	1,721.0	12.9	216
10.000	3.90	907	21905	1,907.0	8.1	151
6.500	3.50	843	23152	2,133.0	3.8	78
0.000	3.40	801	24160	2,474.0	0.0	0

* Metric data is calculated based on ASTM standards
 Box tests are performed to ASTM F558

WARNING: When using AMETEK vacuum motors in machines that come in contact with foam, liquid (including water), or other foreign substances, the machine must be designed and constructed to prevent those substances from reaching the fan system, motor housing, and electrical components. Ametek motors other than hazardous duty models should not be applied in machines that come in contact with dry chemicals or other volatile materials. Failure to observe these precautions could cause flashing (depending on volatility) or electrical shock which could result in property damage and severe bodily injury, including death in extreme cases. All applications incorporating Ametek motors should be submitted to appropriate organizations or agencies for testing specifically related to the safety of your equipment.