

AIR MOVING MOTOR: 5.7 in. / 144.8 mm. 120 V 2-Stage

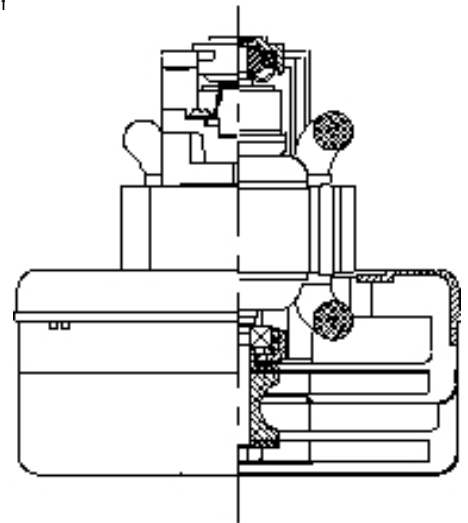
MODEL:116311-00

SPECIFICATIONS

Motor Type:	Series Universal
Input Voltage:	120 VAC, 50/60 Hz
Frequency:	50/60 Hz
Fan Diameter:	5.7 in./144.8 mm
No. Fan Stages:	2
Fan System Style:	Through-Flow
Air Discharge:	
Operating Temp:	32-104°F/0-40°C
Bearing System:	Ball/Sleeve
Frame:	Skeleton
Brush Type:	Carbon
Inlet Tube Dia.:	None
RFI Choke:	None
Speed:	1

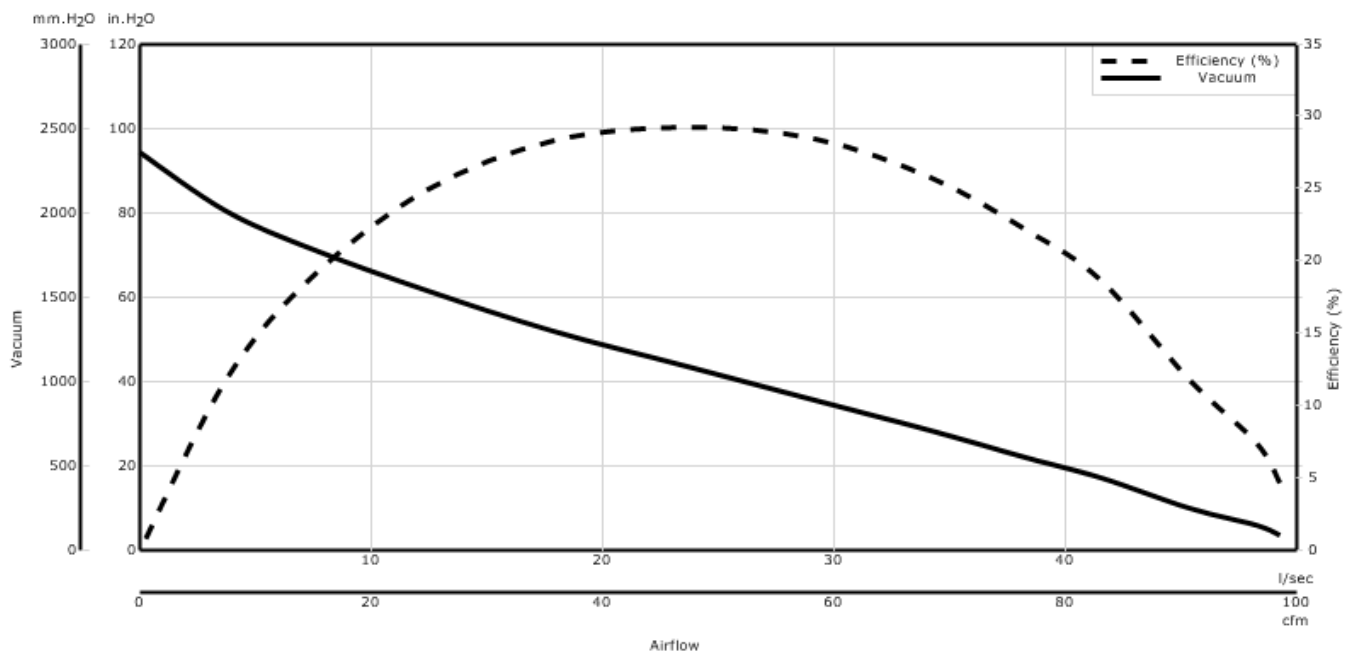
ADDITIONAL FEATURES

Regulatory:	UL Recognized, CSA certif
Comm Bracket:	Aluminum
Fan Bracket:	Aluminum
Therm Protect:	None
Insulation Class:	Class A
Added Bearing Prot.:	
Fan Shell Coat:	None
Electrical Conn.:	Lead Wires
Duty Cycle:	Intermittent
Special Feature:	



Design Application

PERFORMANCE



* Data represents performance of a typical motor sampled from a large production quantity. Individual motor data may vary, due to normal manufacturing variations."

Data shown is measured at regulated nominal voltage and normalized to standard atmospheric pressure and temperature.

ENGLISH

Orifice (inches)	Amps	Watts (In)	RPM	Vac (In. H2O)	Flow (CFM)	Air Watts
2.000	7.79	876	17790	3.6	98.6	41.16
1.750	7.83	882	17720	5.9	96.5	66.3920
1.500	7.89	888	17680	9.9	90.7	105.1250
1.250	7.93	893	17550	17.1	83.1	167.1380
1.125	7.97	899	17610	22.2	76.6	199.6490
1.000	7.91	890	17680	28.5	68.4	229.3180
0.875	7.63	861	17920	35.7	58.4	245.4460
0.750	7.33	827	18320	43.6	47.3	242.6890
0.625	6.83	775	18950	52.1	35.8	219.3860
0.500	6.31	721	19930	61.7	24.8	179.9550
0.375	5.75	663	21080	71.3	15.1	126.8460
0.250	5.15	596	22280	80.6	7.5	70.7110
0.000	4.73	550	23570	94.4	0.0	0

METRIC

Orifice (mm)	Amps	Watts (In)	RPM	Vac (mm H2O)	Flow (l/Sec)	Air Watts
48.000	7.80	879	17759	116.0	46.1	52
40.000	7.90	886	17692	220.0	43.6	94
30.000	8.00	896	17583	505.0	37.5	185
23.000	7.70	868	17860	862.0	28.7	241
19.000	7.30	826	18333	1,113.0	22.2	242
16.000	6.90	777	18925	1,315.0	17.1	220
13.000	6.40	726	19832	1,542.0	12.2	184
10.000	5.80	672	20908	1,773.0	7.8	135
6.500	5.20	599	22220	2,035.0	3.7	74
0.000	4.70	550	23570	2,398.0	0.0	0

* Metric data is calculated based on ASTM standards
 Box tests are performed to ASTM F558

WARNING: When using AMETEK vacuum motors in machines that come in contact with foam, liquid (including water), or other foreign substances, the machine must be designed and constructed to prevent those substances from reaching the fan system, motor housing, and electrical components. Ametek motors other than hazardous duty models should not be applied in machines that come in contact with dry chemicals or other volatile materials. Failure to observe these precautions could cause flashing (depending on volatility) or electrical shock which could result in property damage and severe bodily injury, including death in extreme cases. All applications incorporating Ametek motors should be submitted to appropriate organizations or agencies for testing specifically related to the safety of your equipment.