

AIR MOVING MOTOR: 7.2 in. / 182.9 mm. 120 V 2-Stage

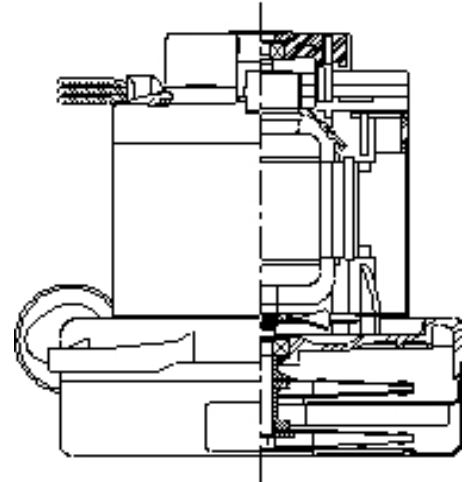
MODEL:117467-00

SPECIFICATIONS

Motor Type:	Series Universal
Input Voltage:	120 VAC, 50/60 Hz
Frequency:	50/60 Hz
Fan Diameter:	7.2 in./182.9 mm
No. Fan Stages:	2
Fan System Style:	Bypass
Air Discharge:	Tangential
Operating Temp:	32-104°F/0-40°C
Bearing System:	Ball/Ball
Frame:	Skeleton
Brush Type:	Carbon
Inlet Tube Dia.:	None
RFI Choke:	None
Speed:	1

ADDITIONAL FEATURES

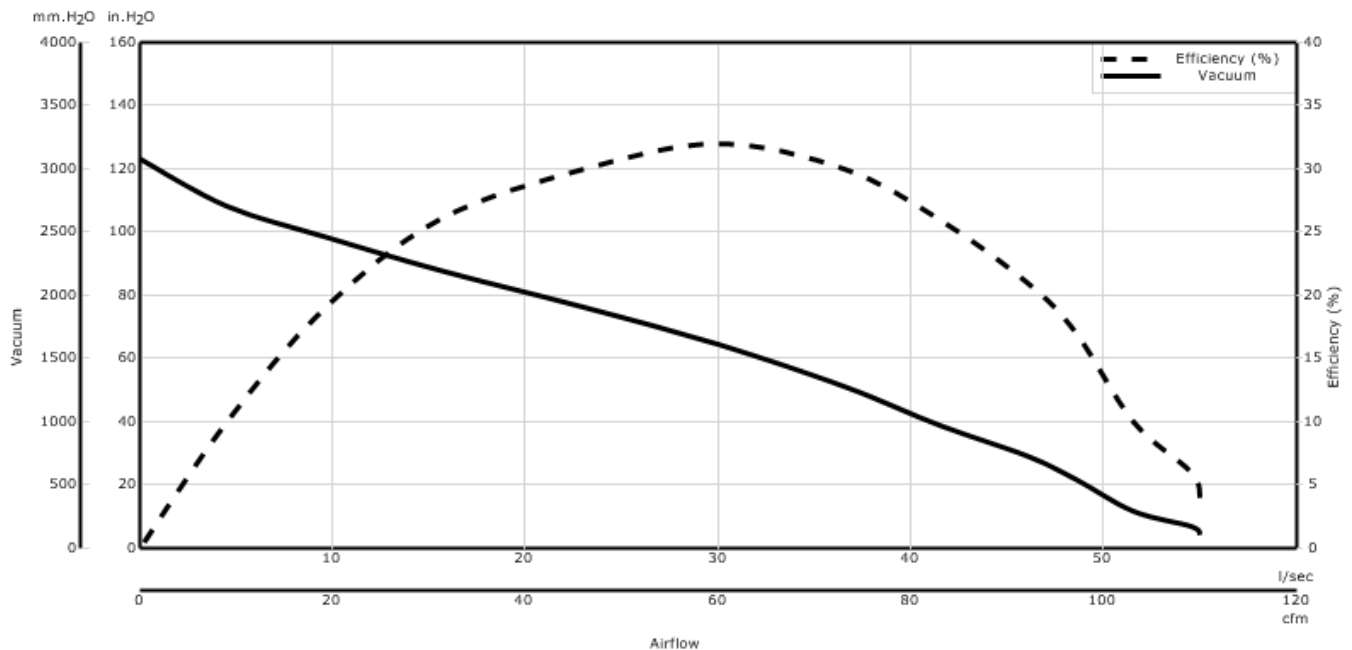
Regulatory:	UL Recognized, CSA certif
Comm Bracket:	Plastic
Fan Bracket:	Plastic
Therm Protect:	None
Insulation Class:	Class A
Added Bearing Prot.:	
Fan Shell Coat:	None
Electrical Conn.:	Lead Wires
Duty Cycle:	Intermittent
Special Feature:	



Design Application

Equipment operating in environments requiring separation of working air from motor ventilating air.
 Designed to handle clean, dry, filtered air only

PERFORMANCE



* Data represents performance of a typical motor sampled from a large production quantity. Individual motor data may vary, due to normal manufacturing variations."

Data shown is measured at regulated nominal voltage and normalized to standard atmospheric pressure and temperature.

ENGLISH

Orifice (inches)	Amps	Watts (In)	RPM	Vac (In. H2O)	Flow (CFM)	Air Watts
2.000	12.70	1487	19747	4.2	110.0	54
1.750	12.70	1485	19693	7.1	109.0	90
1.500	12.80	1489	19670	11.8	103.0	144
1.250	12.80	1490	19656	21.8	97.0	250
1.125	12.80	1489	19672	29.4	92.0	317
1.000	12.70	1482	19742	38.9	83.0	380
0.875	12.60	1468	19830	51.0	73.0	437
0.750	12.20	1431	30128	64.4	60.0	455
0.625	11.60	1360	20670	76.5	46.0	410
0.500	10.70	1266	21516	87.9	31.0	323
0.375	9.80	1165	22605	98.6	19.0	216
0.250	9.00	1068	2384	108.2	9.0	110
0.000	8.30	991	25047	123.0	0.0	0

METRIC

Orifice (mm)	Amps	Watts (In)	RPM	Vac (mm H2O)	Flow (l/Sec)	Air Watts
48.000	12.70	1486	19723	139.0	51.7	70
40.000	12.80	1488	19677	264.0	49.5	128
30.000	12.80	1489	19665	660.0	44.5	287
23.000	12.60	1472	19808	1,219.0	35.6	423
19.000	12.20	1430	29939	1,642.0	28.2	454
16.000	11.60	1363	21048	1,931.0	22.0	412
13.000	10.80	1275	21431	2,204.0	15.3	332
10.000	9.90	1180	22442	2,464.0	9.8	232
6.500	9.00	1073	3395	2,736.0	4.5	115
0.000	8.30	991	25047	3,124.0	0.0	0

* Metric data is calculated based on ASTM standards
 Box tests are performed to ASTM F558

WARNING: When using AMETEK vacuum motors in machines that come in contact with foam, liquid (including water), or other foreign substances, the machine must be designed and constructed to prevent those substances from reaching the fan system, motor housing, and electrical components. Ametek motors other than hazardous duty models should not be applied in machines that come in contact with dry chemicals or other volatile materials. Failure to observe these precautions could cause flashing (depending on volatility) or electrical shock which could result in property damage and severe bodily injury, including death in extreme cases. All applications incorporating Ametek motors should be submitted to appropriate organizations or agencies for testing specifically related to the safety of your equipment.