

AIR MOVING MOTOR: 7.2 in. / 182.9 mm. 240 V 3-Stage

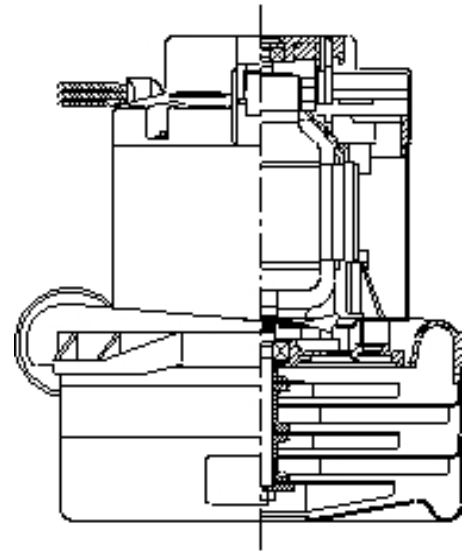
MODEL:117502-12

SPECIFICATIONS

Motor Type:	Series Universal
Input Voltage:	240 VAC, 50/60 Hz
Frequency:	50/60 Hz
Fan Diameter:	7.2 in./182.9 mm
No. Fan Stages:	3
Fan System Style:	Bypass
Air Discharge:	Tangential
Operating Temp:	32-104°F/0-40°C
Bearing System:	Ball/Ball
Frame:	Skeleton
Brush Type:	Carbon
Inlet Tube Dia.:	None
RFI Choke:	None
Speed:	1

ADDITIONAL FEATURES

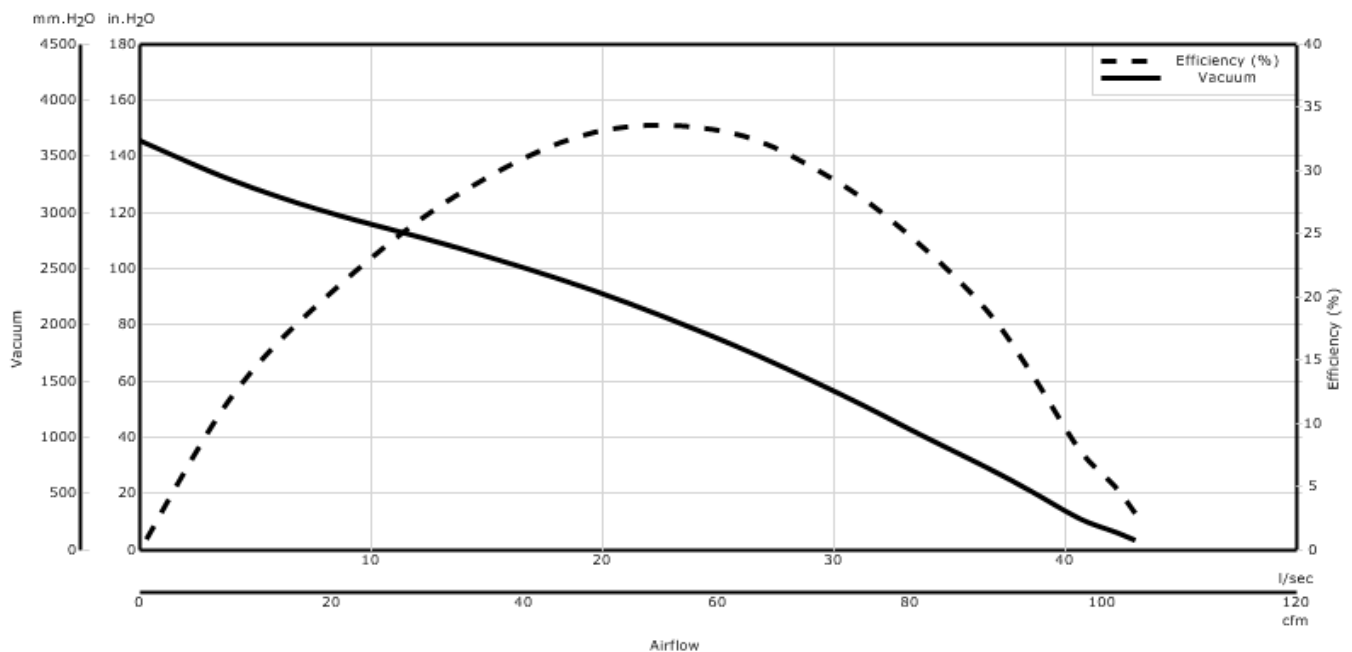
Regulatory:	UL Recognized
Comm Bracket:	Aluminum
Fan Bracket:	Aluminum
Therm Protect:	None
Insulation Class:	Class A
Added Bearing Prot.:	
Fan Shell Coat:	None
Electrical Conn.:	Lead Wires
Duty Cycle:	Intermittent
Special Feature:	



Design Application

Equipment operating in environments requiring separation of working air from motor ventilating air.
 Designed to handle clean, dry, filtered air only

PERFORMANCE



* Data represents performance of a typical motor sampled from a large production quantity. Individual motor data may vary, due to normal manufacturing variations."

Data shown is measured at regulated nominal voltage and normalized to standard atmospheric pressure and temperature.

ENGLISH

Orifice (inches)	Amps	Watts (In)	RPM	Vac (In. H2O)	Flow (CFM)	Air Watts
2.000	7.30	1603	20058	3.9	103.2	47
1.750	7.30	1599	20086	6.4	101.2	77
1.500	7.30	1606	20030	11.4	97.4	130
1.250	7.40	1613	19965	21.2	92.4	231
1.125	7.40	1618	19968	29.5	87.9	305
1.000	7.40	1620	19928	40.8	81.2	389
0.875	7.40	1618	19985	55.8	72.6	476
0.750	7.30	1602	20106	73.9	61.1	521
0.625	7.10	1551	20485	92.2	47.2	511
0.500	6.60	1455	21253	107.8	32.6	413
0.375	6.00	1341	22330	120.8	19.3	274
0.250	5.50	1241	23386	132.2	9.3	144
0.000	5.10	1152	24445	145.6	0.0	0

METRIC

Orifice (mm)	Amps	Watts (In)	RPM	Vac (mm H2O)	Flow (l/Sec)	Air Watts
48.000	7.30	1601	20070	127.0	48.3	60
40.000	7.30	1604	20047	251.0	46.5	114
30.000	7.40	1616	19967	654.0	42.4	272
23.000	7.40	1619	19971	1,322.0	35.3	454
19.000	7.30	1601	20114	1,886.0	28.7	521
16.000	7.10	1553	20470	2,323.0	22.5	511
13.000	6.70	1465	21176	2,698.0	16.1	423
10.000	6.10	1358	22168	3,019.0	10.1	295
6.500	5.50	1246	23333	3,343.0	4.6	151
0.000	5.10	1152	24445	3,698.0	0.0	0

* Metric data is calculated based on ASTM standards
 Box tests are performed to ASTM F558

WARNING: When using AMETEK vacuum motors in machines that come in contact with foam, liquid (including water), or other foreign substances, the machine must be designed and constructed to prevent those substances from reaching the fan system, motor housing, and electrical components. Ametek motors other than hazardous duty models should not be applied in machines that come in contact with dry chemicals or other volatile materials. Failure to observe these precautions could cause flashing (depending on volatility) or electrical shock which could result in property damage and severe bodily injury, including death in extreme cases. All applications incorporating Ametek motors should be submitted to appropriate organizations or agencies for testing specifically related to the safety of your equipment.