

# AIR MOVING MOTOR: 7.2 in. / 182.9 mm. 240 V 2-Stage

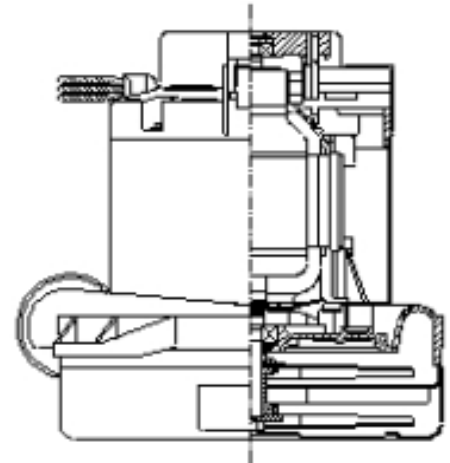
MODEL:117572-12

## SPECIFICATIONS

<b>Motor Type:</b>	Series Universal
<b>Input Voltage:</b>	240 VAC, 50/60 Hz
<b>Frequency:</b>	50/60 Hz
<b>Fan Diameter:</b>	7.2 in./182.9 mm
<b>No. Fan Stages:</b>	2
<b>Fan System Style:</b>	Bypass
<b>Air Discharge:</b>	Tangential
<b>Operating Temp:</b>	32-104°F/0-40°C
<b>Bearing System:</b>	Ball/Ball
<b>Frame:</b>	Skeleton
<b>Brush Type:</b>	Carbon
<b>Inlet Tube Dia.:</b>	None
<b>RFI Choke:</b>	None
<b>Speed:</b>	1

## ADDITIONAL FEATURES

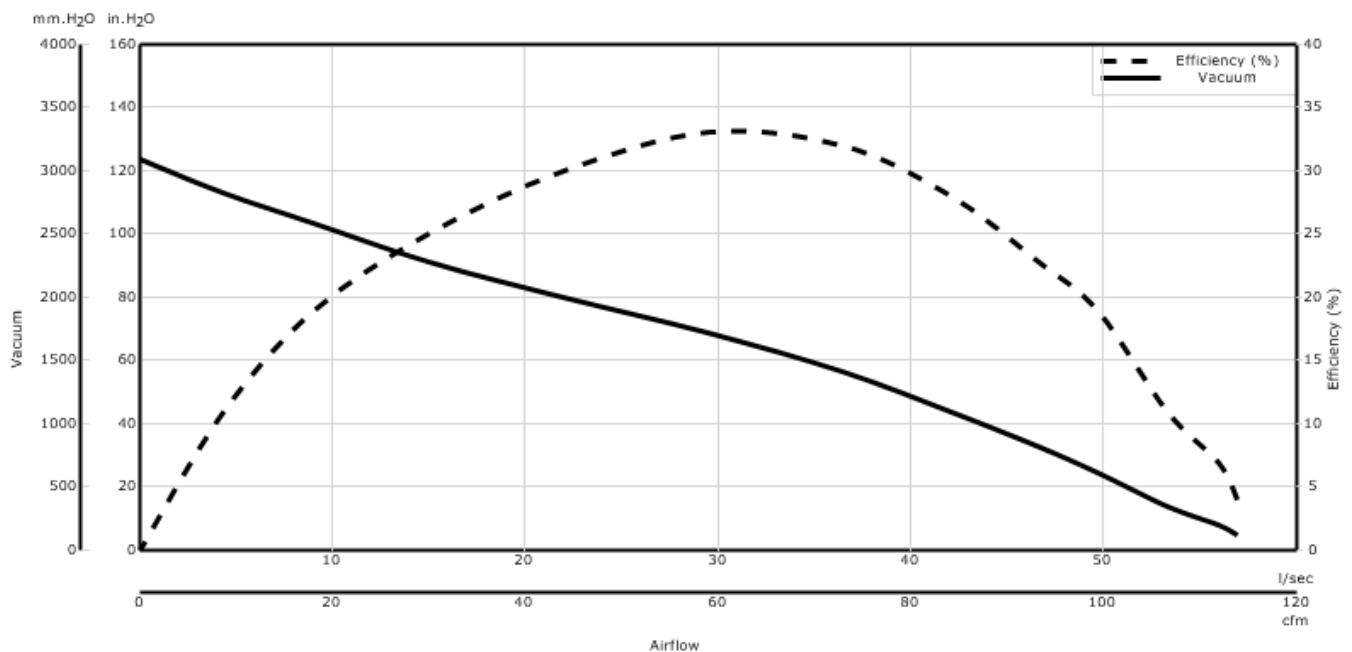
<b>Regulatory:</b>	UL Recognized
<b>Comm Bracket:</b>	Aluminum
<b>Fan Bracket:</b>	Aluminum
<b>Therm Protect:</b>	None
<b>Insulation Class:</b>	Class A
<b>Added Bearing Prot.:</b>	
<b>Fan Shell Coat:</b>	None
<b>Electrical Conn.:</b>	Lead Wires
<b>Duty Cycle:</b>	Intermittent
<b>Special Feature:</b>	



## Design Application

Equipment operating in environments requiring separation of working air from motor ventilating air. Designed to handle clean, dry, filtered air only

## PERFORMANCE



\* Data represents performance of a typical motor sampled from a large production quantity. Individual motor data may vary, due to normal manufacturing variations."

Data shown is measured at regulated nominal voltage and normalized to standard atmospheric pressure and temperature.

## ENGLISH

Orifice (inches)	Amps	Watts (In)	RPM	Vac (In. H2O)	Flow (CFM)	Air Watts
2.000	7.00	1560	16590	4.8	113.9	64
1.750	7.00	1558	16585	7.9	111.9	104
1.500	7.00	1559	16580	13.7	106.6	172
1.250	7.00	1556	16615	24.7	99.3	288
1.125	6.90	1548	16640	33.2	93.0	363
1.000	6.90	1535	16720	43.9	84.1	434
0.875	6.70	1505	16890	56.3	72.9	482
0.750	6.50	1451	17245	68.8	59.0	477
0.625	6.10	1368	17765	80.0	44.0	413
0.500	5.60	1265	18465	91.3	30.0	322
0.375	5.10	1146	19415	103.5	18.0	219
0.250	4.60	1045	20345	112.9	8.6	114
0.000	4.20	971	21225	123.6	0.0	0

## METRIC

Orifice (mm)	Amps	Watts (In)	RPM	Vac (mm H2O)	Flow (l/Sec)	Air Watts
48.000	7.00	1559	16588	157.0	53.3	82
40.000	7.00	1559	16582	304.0	51.1	152
30.000	6.90	1552	16629	746.0	45.2	329
23.000	6.80	1513	16848	1,351.0	35.7	470
19.000	6.50	1449	17255	1,753.0	27.7	476
16.000	6.10	1371	17744	2,021.0	21.1	416
13.000	5.70	1275	18395	2,290.0	14.8	331
10.000	5.20	1164	19273	2,582.0	9.3	234
6.500	4.60	1050	20299	2,856.0	4.3	119
0.000	4.20	971	21225	3,139.0	0.0	0

\* Metric data is calculated based on ASTM standards  
 Box tests are performed to ASTM F558

WARNING: When using AMETEK vacuum motors in machines that come in contact with foam, liquid (including water), or other foreign substances, the machine must be designed and constructed to prevent those substances from reaching the fan system, motor housing, and electrical components. Ametek motors other than hazardous duty models should not be applied in machines that come in contact with dry chemicals or other volatile materials. Failure to observe these precautions could cause flashing (depending on volatility) or electrical shock which could result in property damage and severe bodily injury, including death in extreme cases. All applications incorporating Ametek motors should be submitted to appropriate organizations or agencies for testing specifically related to the safety of your equipment.