

Cover - SC9050B



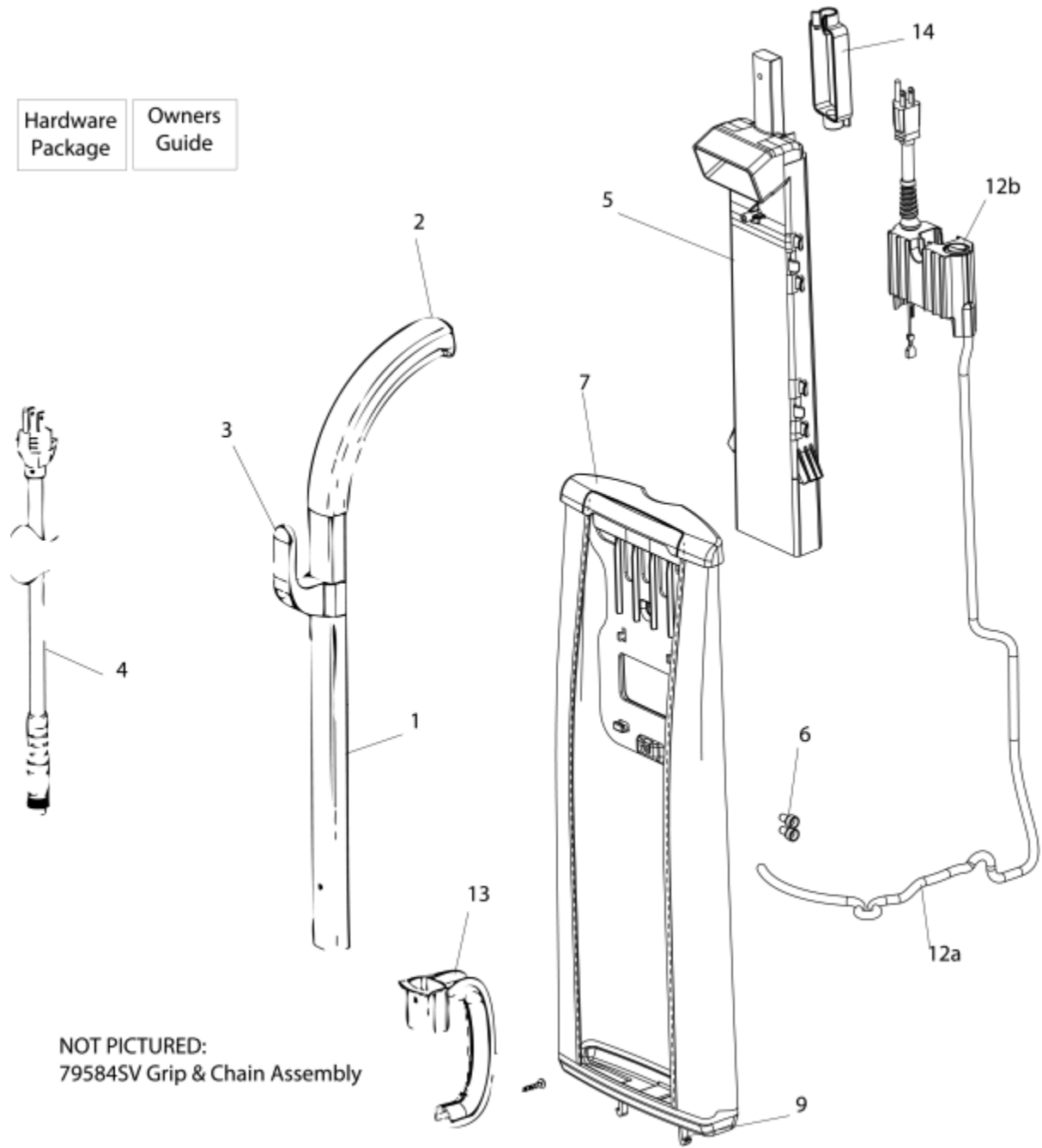
REPAIR PARTS LIST

Model SC9050B

Lightweight
Commercial Upright

Bag & Handle - SC9050B

Hardware Package
Owners Guide

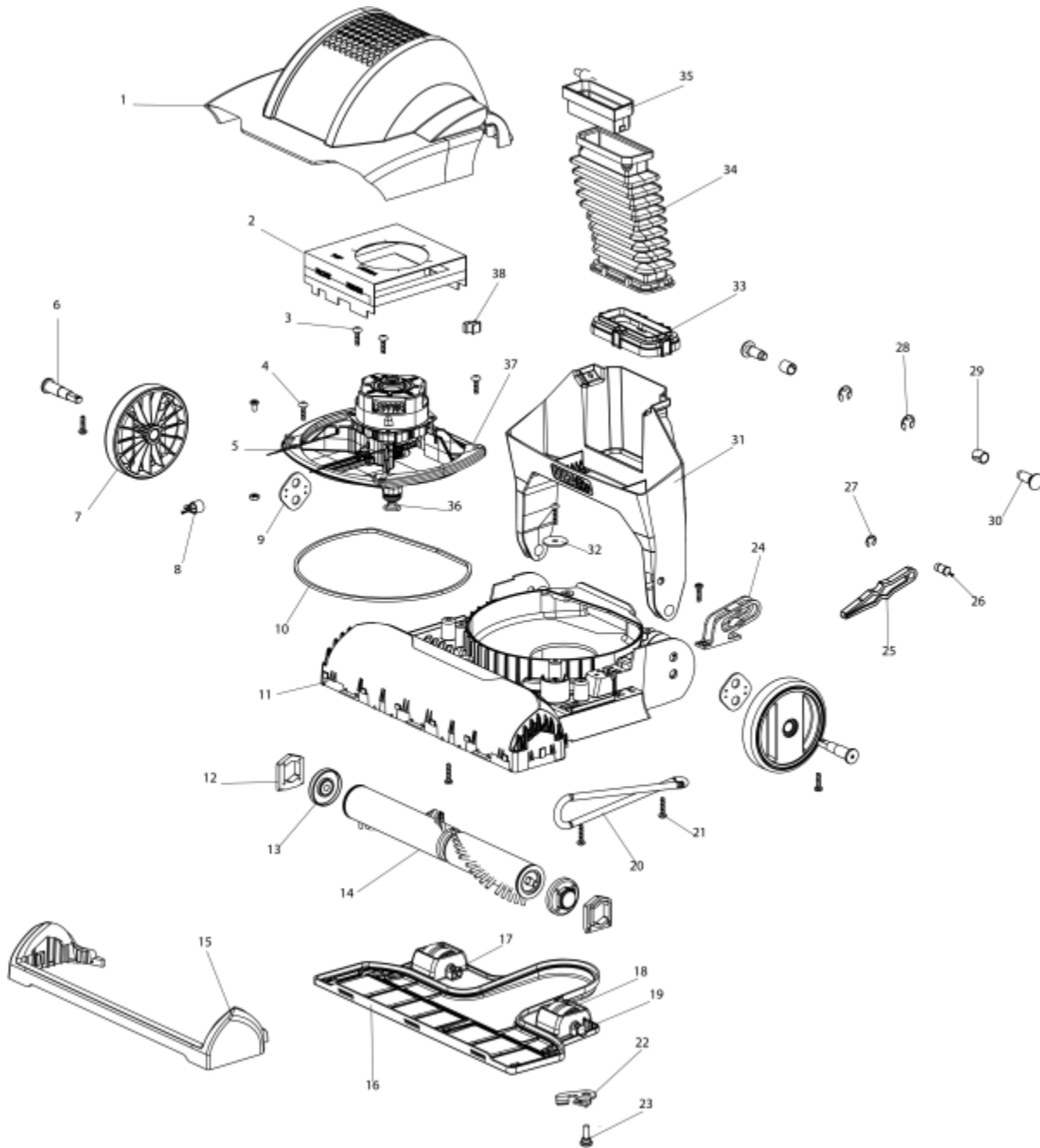


NOT PICTURED:
79584SV Grip & Chain Assembly

Bag & Handle - SC9050B

Ref #	Part	Description	Comments	Qty
1	78382SV	UPPER HANDLE ASSEMBLY		
2	78753-380N	GRIP - HANDLE		
3	79103-355N	CORD HOOK		
4	76224	CORD - EXTENSION (50FT)		
5	83296-355N	TUBE - HANDLE (LOWER)		
6	58313	WIRE SPLICE 5		
7	53469-33	ZIPPER BAG ASSY - PACKAGE		
8	79584SV	GRIP & CHAIN ASSEMBLY		
9	78394-355N	RETAINER - BAG		
10	80213B	HARDWARE PACKAGE		
11	80327B	OWNERS GUIDE		
12a	80602	SWITCH BOX ASSEMBLY		
12b	76621	SWITCH - 2 POSITION (ROUN		
13	79034-355N	CARRY HANDLE		
14	76225-355N	CORD LOCK		
	79828	Synthetic Bag		
	63881	BAG PKG ASSY-AH E Z SYNTH		
	52339A-6	PAPER BAG - STYLE Z		

Motor & Base - SC9050B



Motor & Base - SC9050B

Ref #	Part	Description	Comments	Qty
1	84823-308N	HOOD		
2	78375	AIR SEPARATOR ASSY		
3	53238-11	SCREW PACKAGE		
4	53238-14	SCREW PACKAGE		
5	53349-9	MOTOR ASSEMBLY - CARTONED		
6	84554	AXLE - REAR		
7	78365	REAR WHEEL ASSEMBLY		
8	78685	BRACKET - WHEEL		
9	54432-5	PACKAGE - RETAINING RING		
10	30517	GASKET - MOTOR SEAL		
11	78363-1SV	BASE ASSEMBLY		
12	26059A	CAP - COVER		
13	38138	CAP & BEARING ASSEMBLY		
14	54104-2	DISTURBULATOR REPLACEMENT		
15	78380-355N	FURNITURE GUARD		
16	79487SV	BOTTOM PLATE ASSY		
17	54432-4	PACKAGE - RETAINING RING		
18	79246-119N	FRONT WHEEL ASSY		
19	78914	AXLE - FRONT		
20	52100B	BELT PKG ASSY (UPRIGHT)		
21	53238-27	SCREW PACKAGE		
22	26295	LOCK - CAM		
23	53143	SCREW PACKAGE (10)		
24	84824-316N	DETENT BASE		
25	84825-355N	DETENT ARM		
26	84826	PIVOT PIN		
27	85104	E - CLIP		
28	54432-3	PACKAGE - RETAINING RING		
29	78689-119N	BUSHING - YOKE		
30	78688	AXLE - YOKE		
31	78367C	YOKE		
32	79740	WASHER		
33	26266-3	CLAMP		
34	78755-380N	BELLOWS		
35	83138-355N	RETAINER - BELLOWS		
36	37012-2	PULLEY - MOTOR		
37	81092	FAN BLOWER - MOTOR		
38	55015	CLIP - WIRE		

Wiring 80450 - SC9050B

